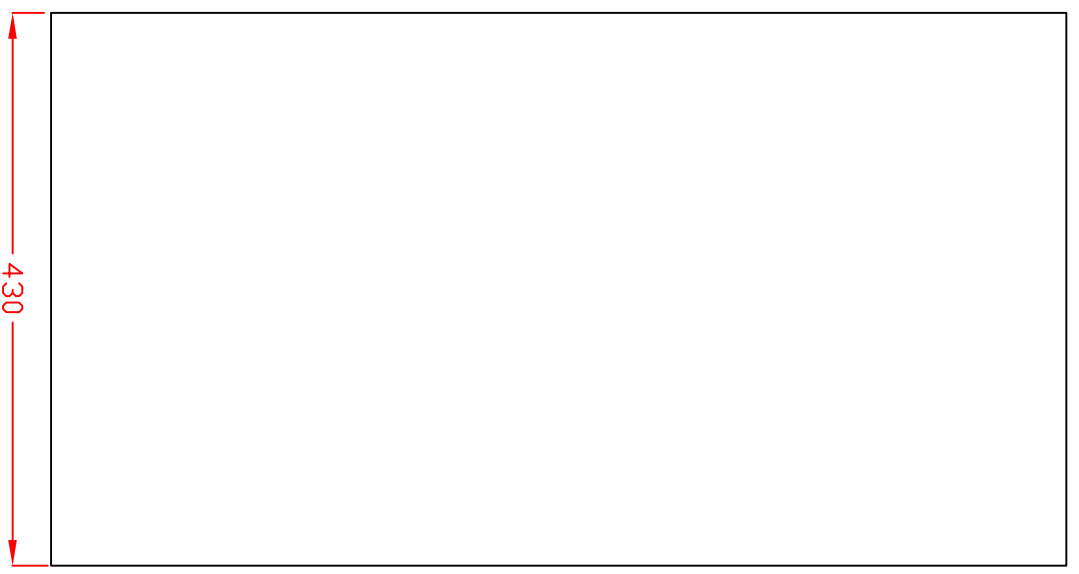
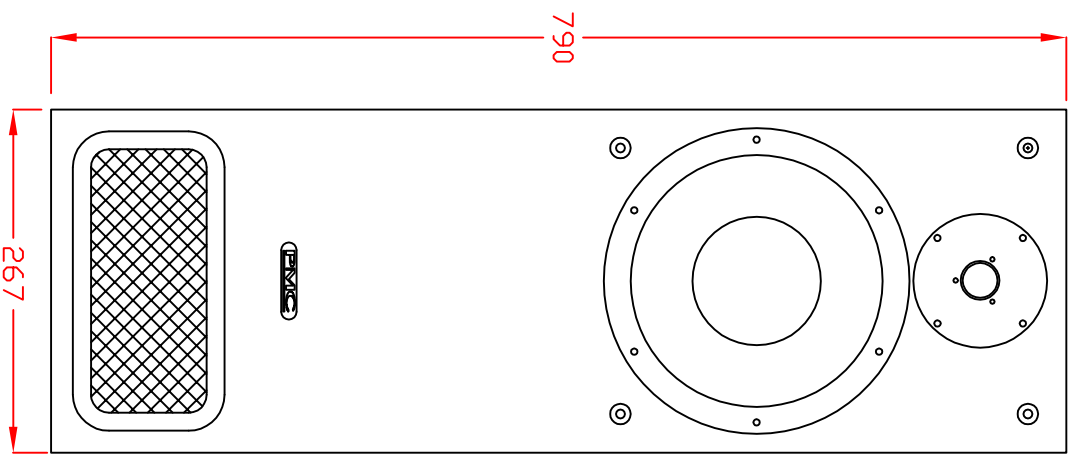


1 A B C D E F G H J K



ALL DIMENSIONS IN MILLIMETERS

ALLOW 12mm FOR GRILLE THICKNESS

10

9

8

7

6

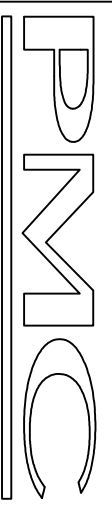
5

4

3

2

1



THE PROFESSIONAL MONITOR COMPANY
 43-45 Crowley Green Road
 Luton, Bedfordshire LU2 0AA
 TEL: 0870 4441044 FAX: 0870 4441045

ORIGINAL	DATE	INIT	TITLE
APPROVED			AB2 & AB2S MONITOR DIMENSIONS
ISSUE 1	22-11-02	PRT	
ISSUE 2			
ISSUE 3			

PROJECT AB2

DRAWING NO. AB2J1 SHEET 1