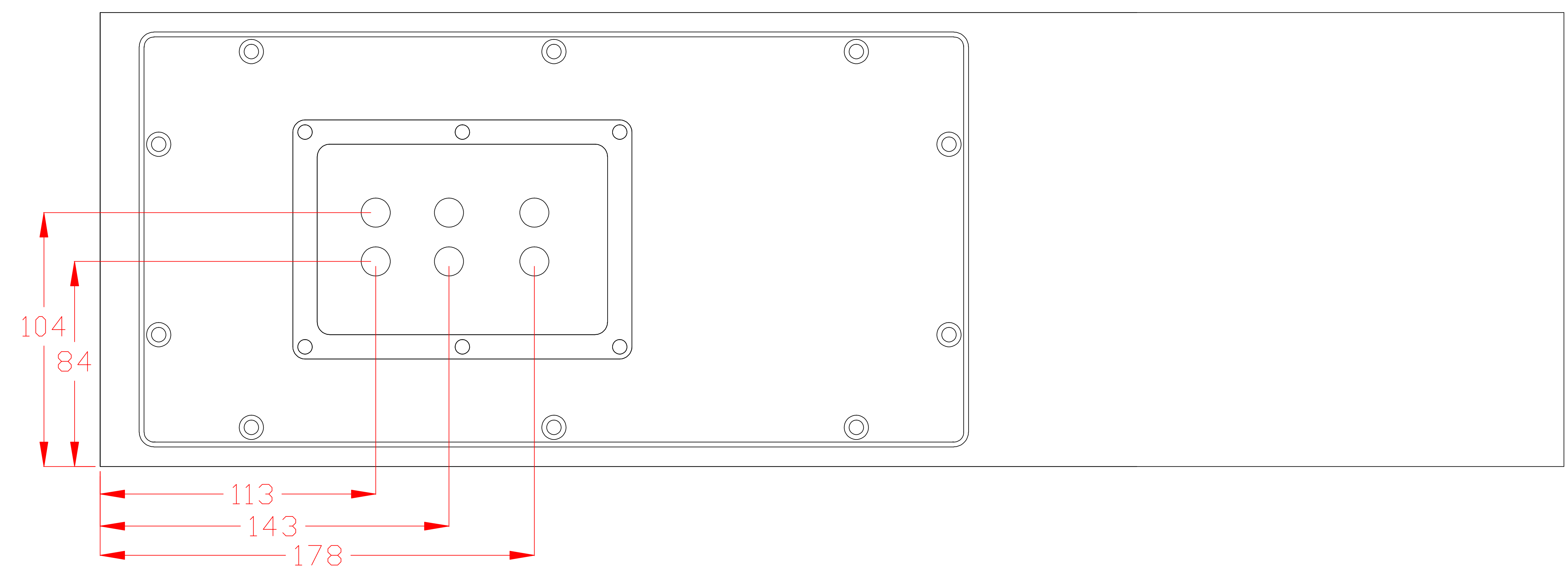
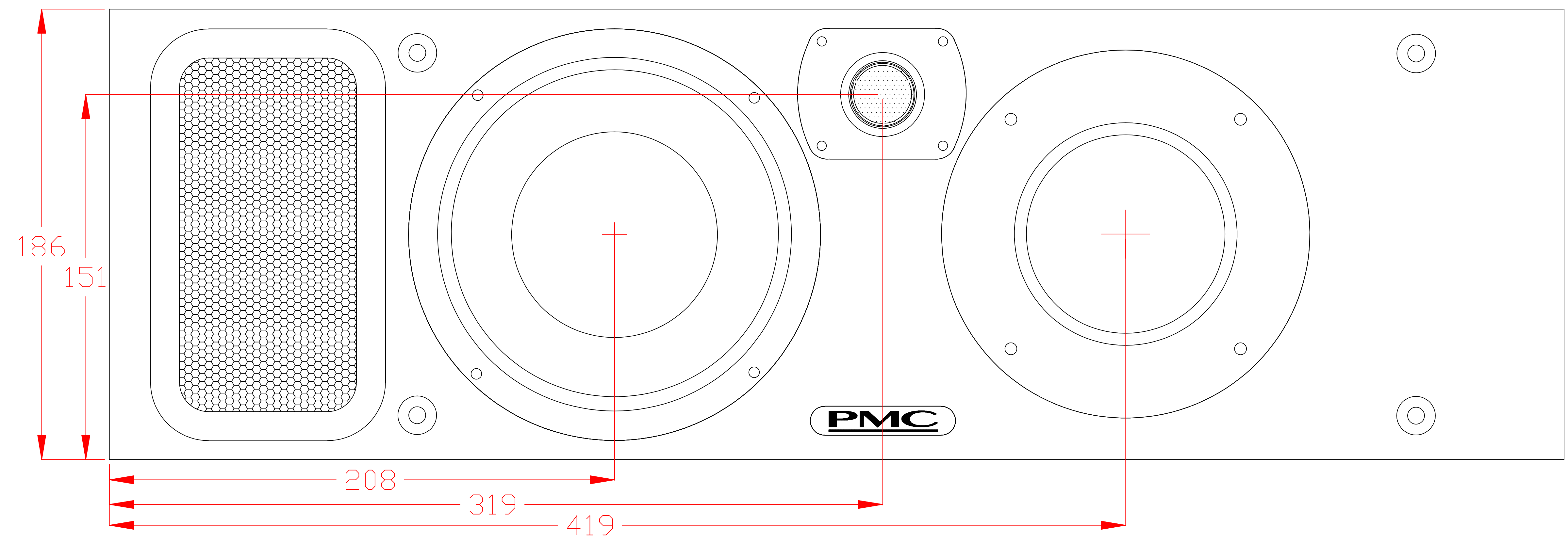
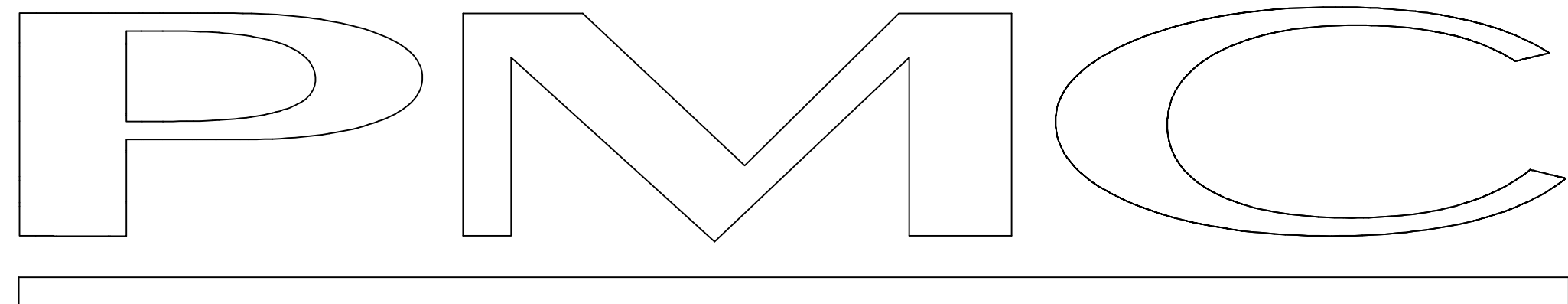


1 A B C D E



	ORIG	DATE	INIT	TITLE CB6 VIEW DIMS	
	APP				
	THE PROFESSIONAL MONITOR COMPANY 43-45 Crawley Green Road Luton, Bedfordshire LU2 0AA Tel: 0870 4441044 Fax: 0870 4441045	ISS1	30-10-06	DAT	PROJECT CB6
	ISS2				SHEET /
	ISS3				