

1 A B C D E D E

2

3

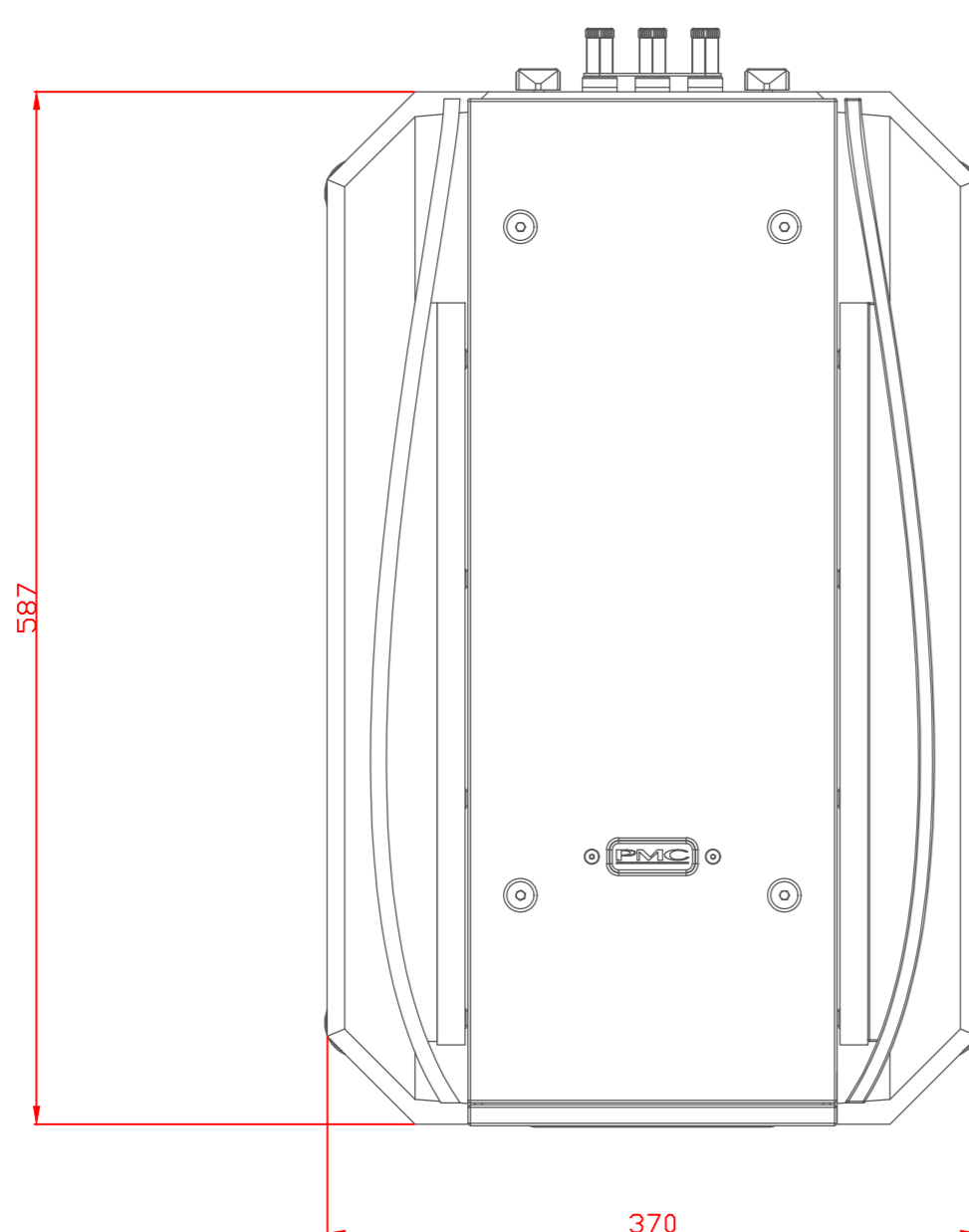
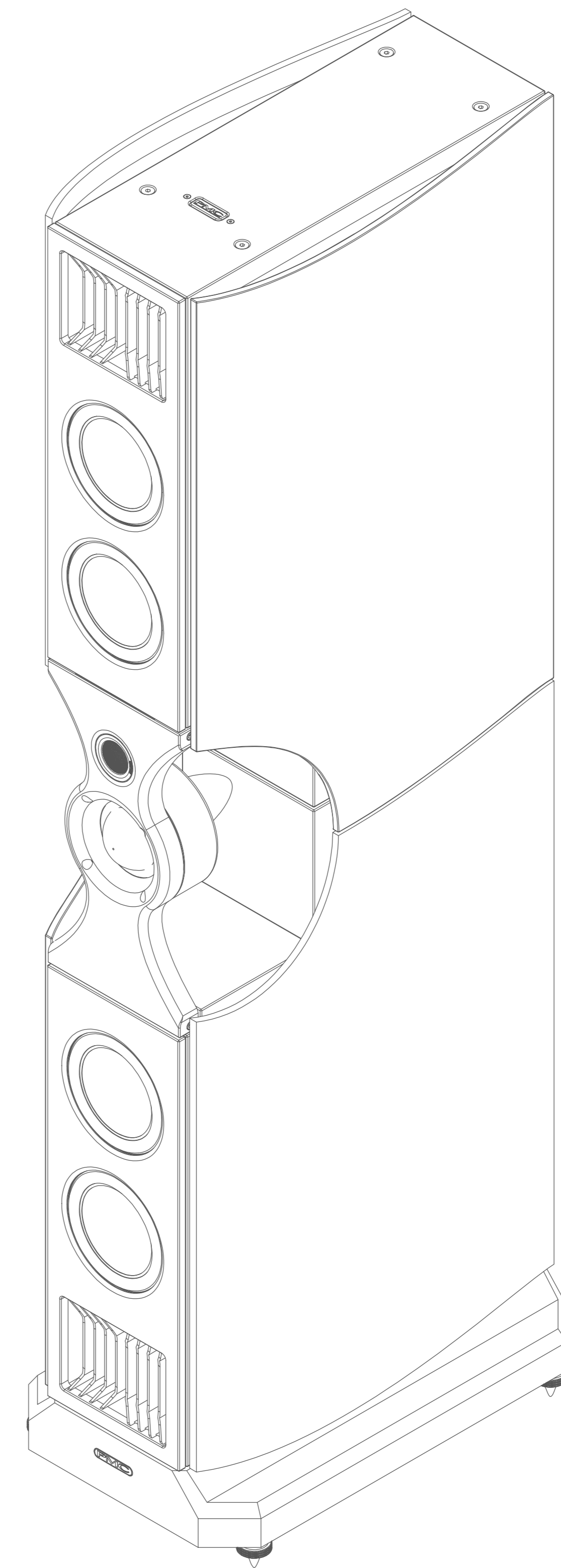
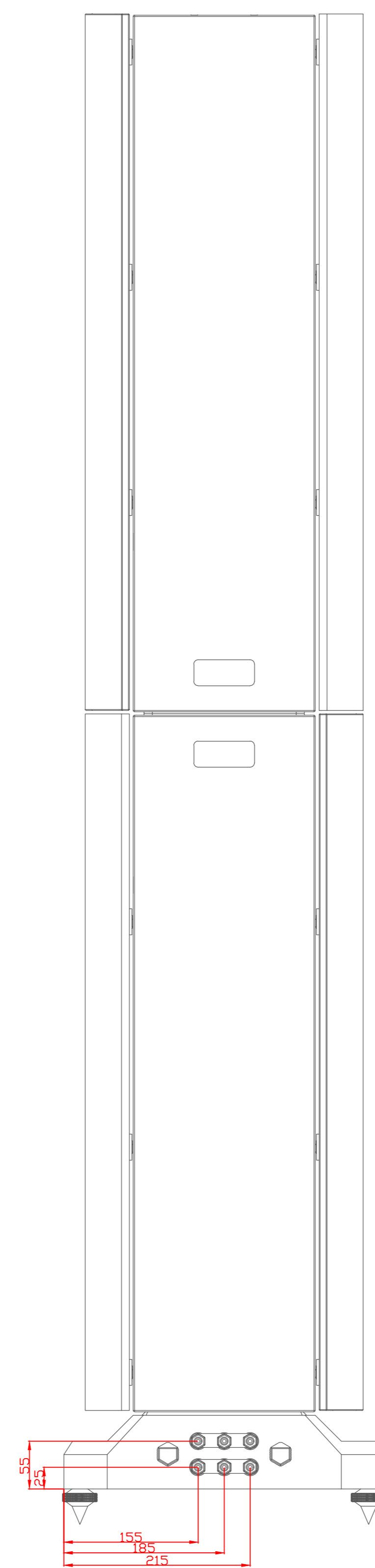
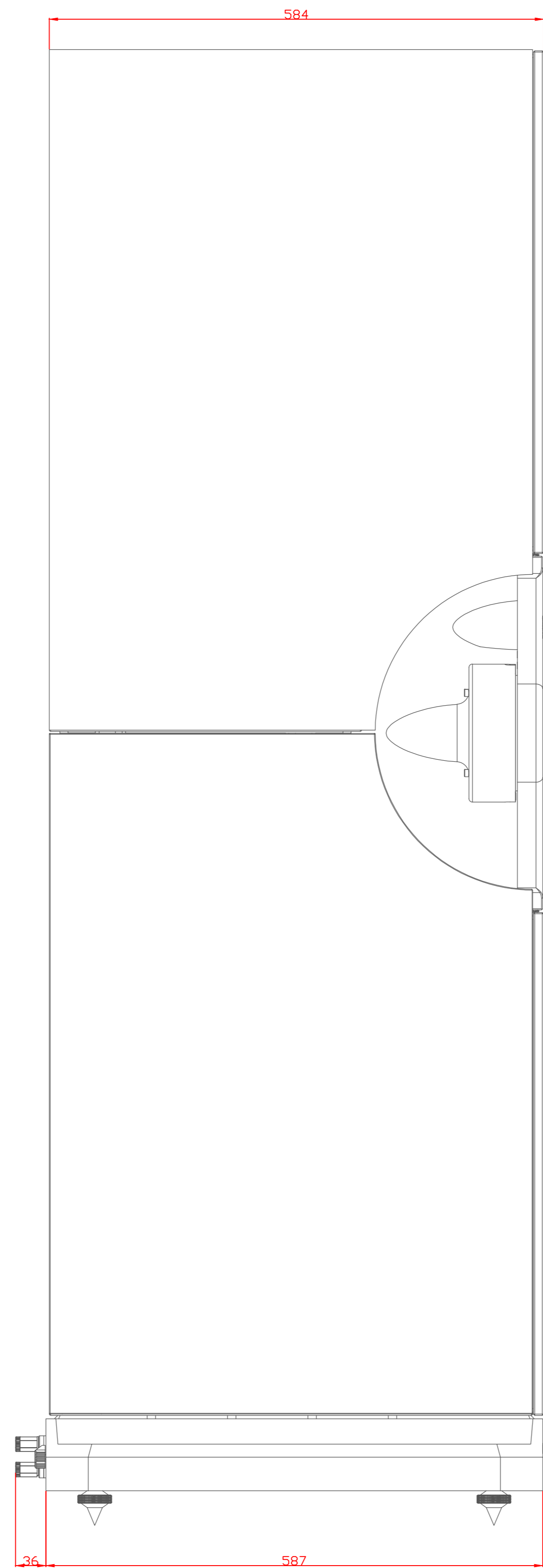
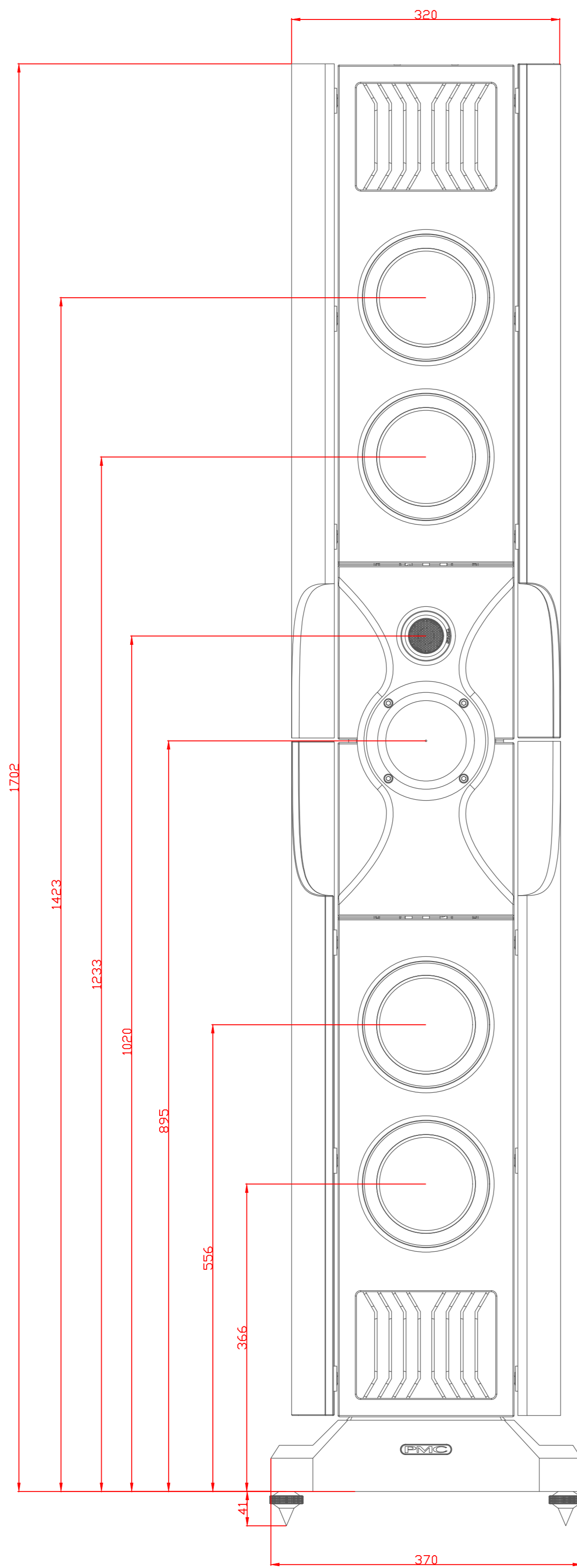
4

5

6

7

8



OOO **PMC**®

THE PROFESSIONAL MONITOR COMPANY
 43-45 Crawley Green Road
 Luton, Bedfordshire LU2 0AA
 Tel: 0870 444 1044 Fax: 0870 444 1045

SIZE	TITLE	5			
A3	FACT FENESTRIA COMPLETE SPEAKER	4			
SCALE	PROJECT	3			
1:5	FACT SERIES	2			
SHEET	DRAWING NO.	1	PM	FENESTRIA COMPLETE SPEAKER	13/10/20 PM.
1 of 1	FACT-FENESTRIA_C01 COMPLETE SPEAKER	ISS.	INIT.	DESCRIPTION	DATE
	All Tolerances +/-0.2mm Unless otherwise stated				APP.
	All Dimensions in mm				