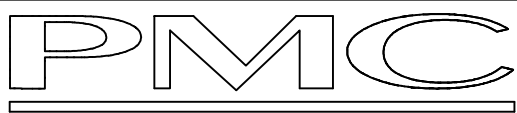
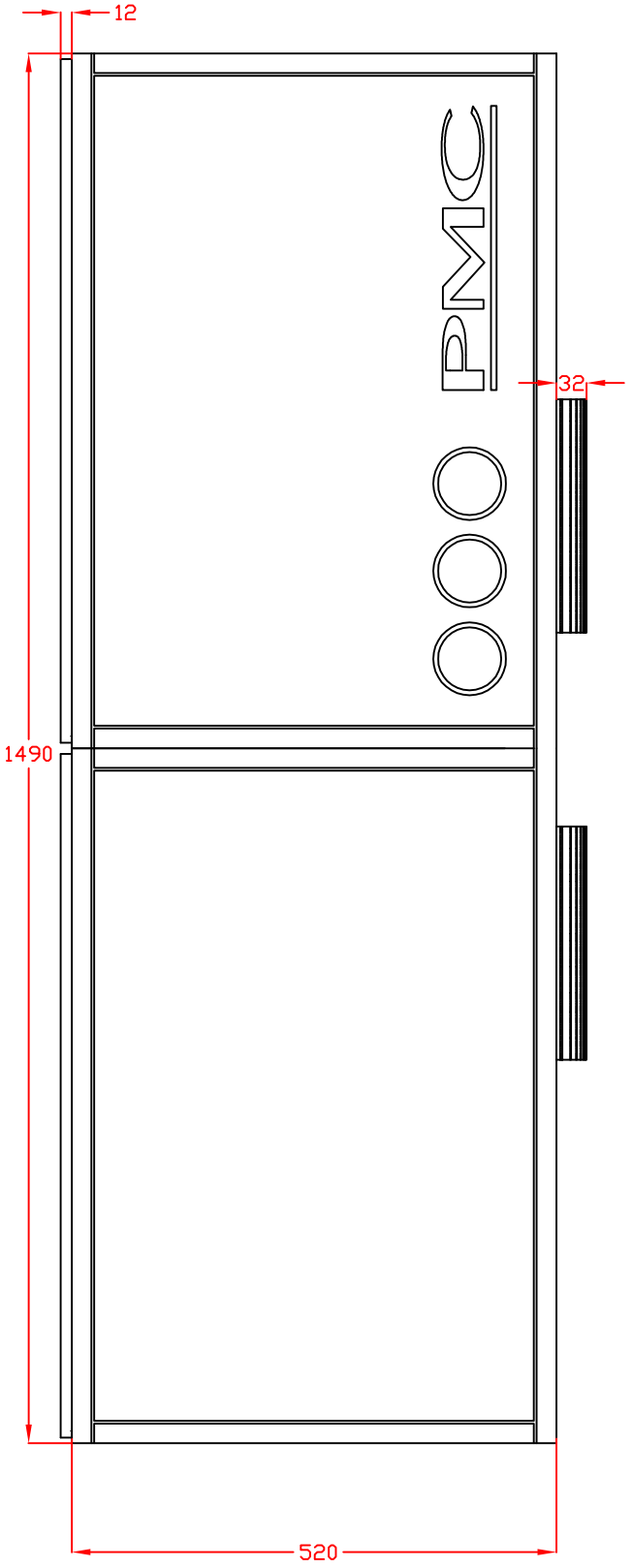
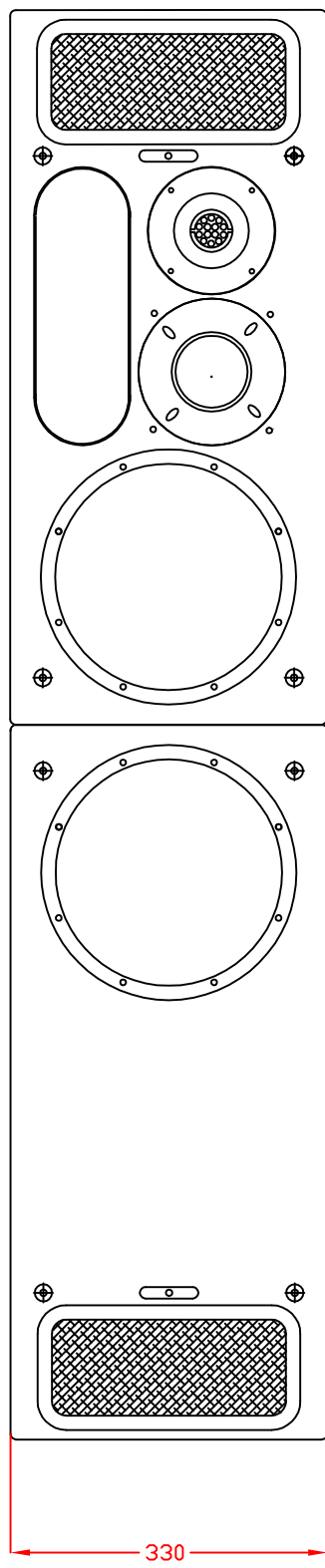
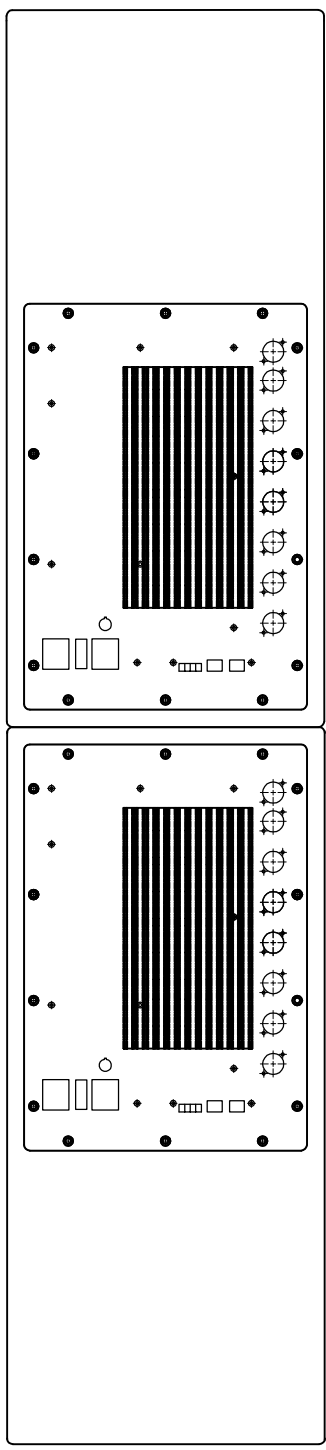


1                      A                      B                      C                      D                      E

2  
3  
4  
5  
6  
7  
8  
9  
10



THE PROFESSIONAL MONITOR COMPANY  
43-45 Crawley Green Road  
Luton, Bedfordshire LU2 0AA  
Tel: 0870 4441044 Fax: 0870 4441045

	DATE	INIT
ORIG		
APP		
ISS1	04-01-11	AW
ISS2		
ISS3		

PROJECT  
IB2XBD

TITLE  
IB2XBD TOWER

DRAWING NO.  
IB2H7

SHEET  
/