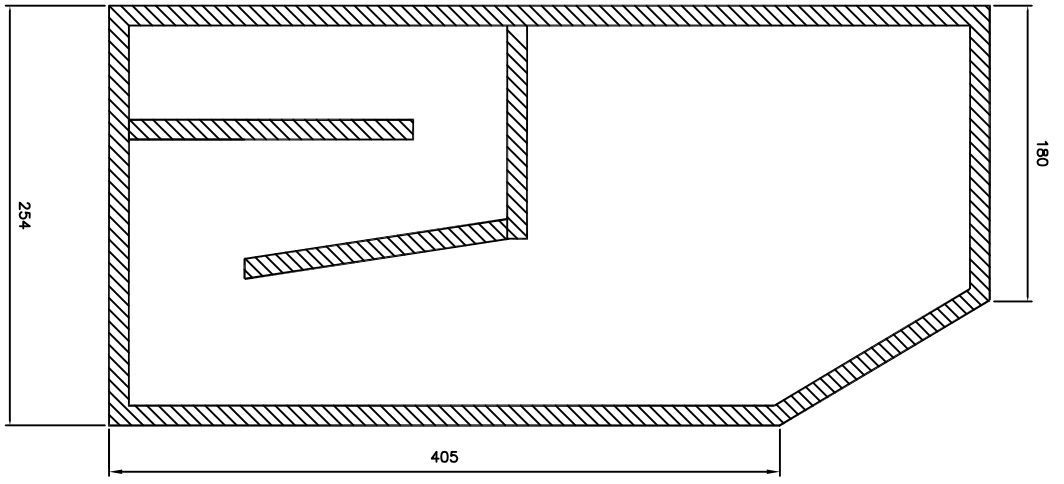
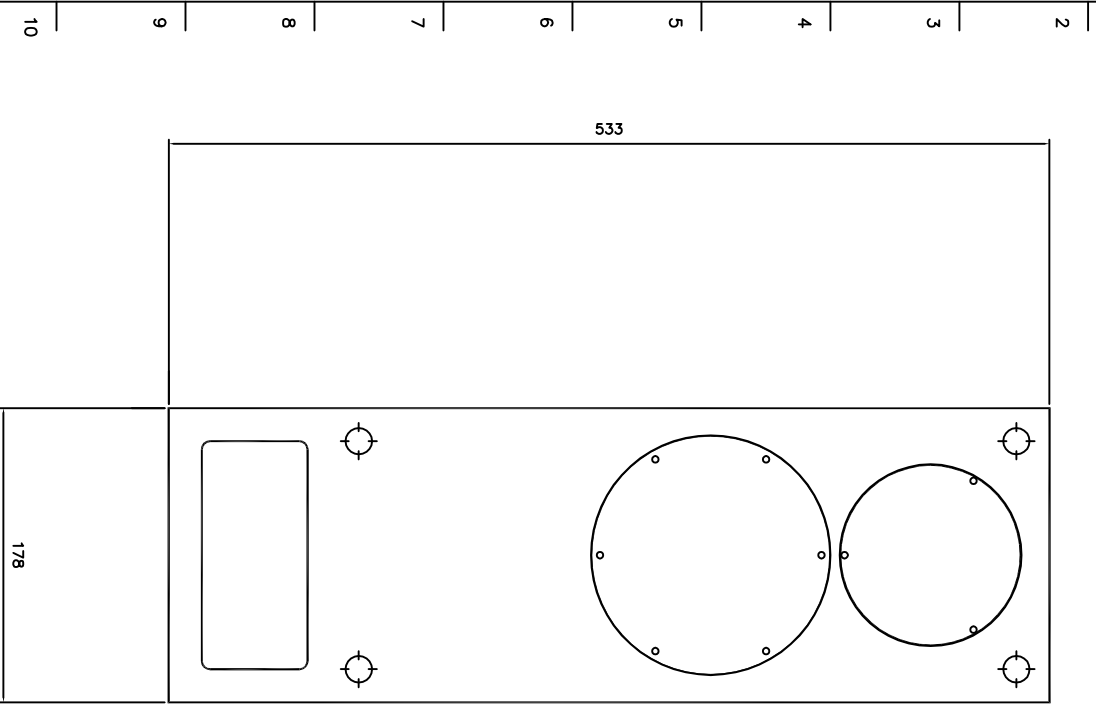
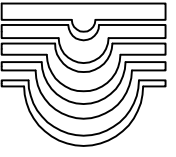


1 A B C D E F G H J K



ALL DIMENSIONS IN MILLIMETRES



THE PROFESSIONAL MONITOR COMPANY
 27 THE AVENUE
 HIGHAMS PARK
 LONDON E4 9LB.
 TEL NO: 081-531-5308

ORIGINAL	DATE	INIT	TITLE
APPROVED	14/08/90	AML	LB1 MONITOR FRONT VIEW AND SECTION
ISSUE 1	28/11/90	AML	
ISSUE 2	12/10/91	AML	
ISSUE 3			
PROJECT			DRAWING NO.
LB1			PMC/LB1A
			SHEET
			1/1