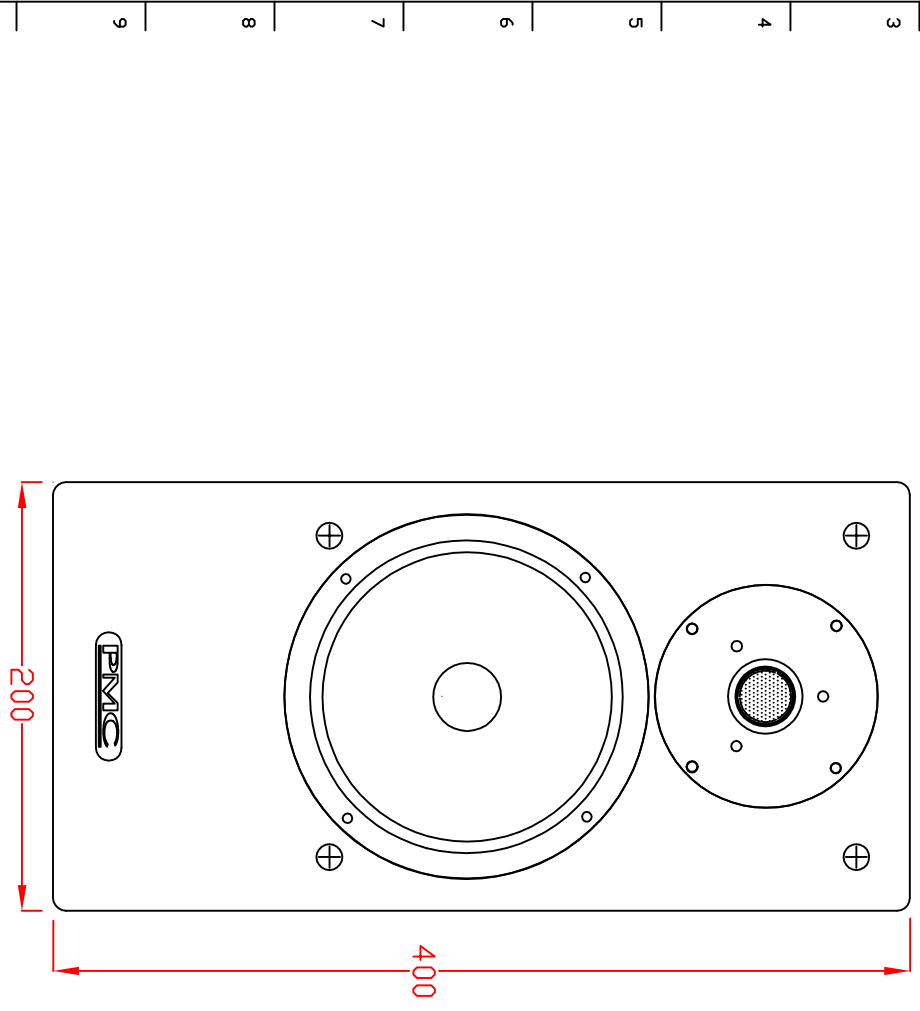
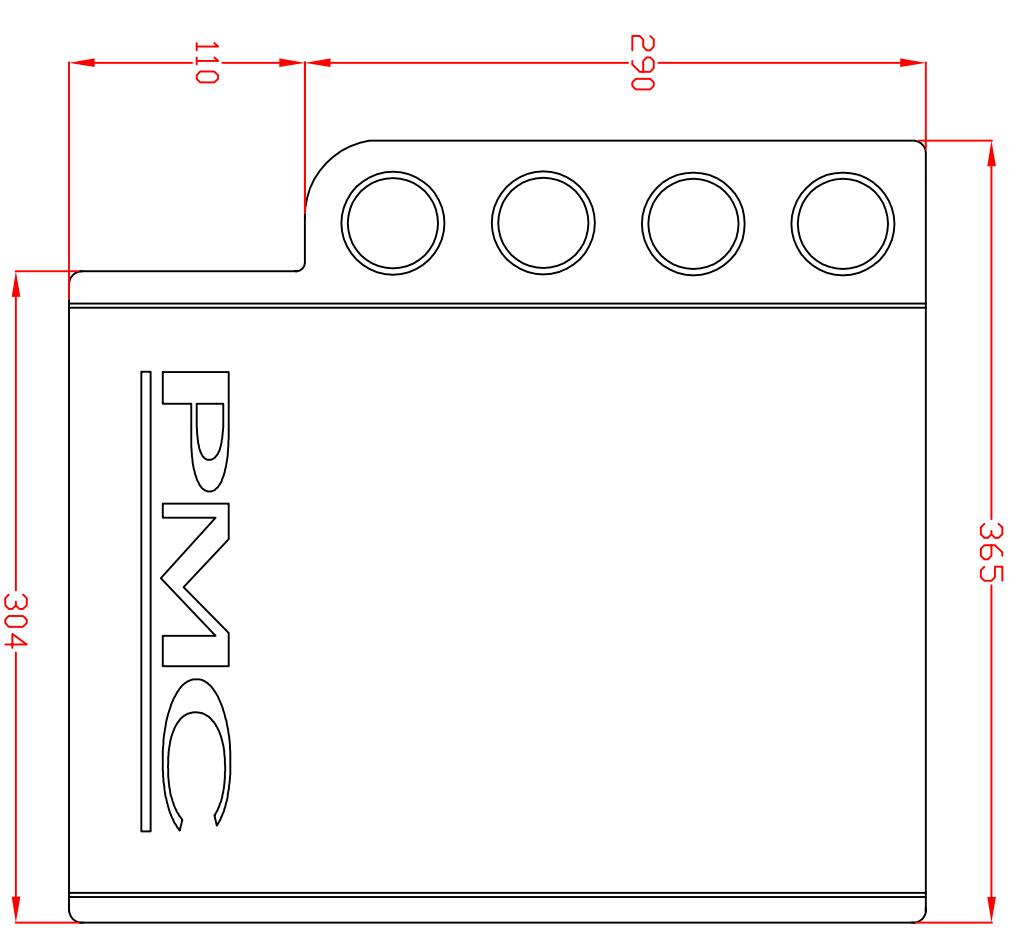


1 A B C D E F G H J K


FRONT VIEW



SIDE VIEW



ALL DIMENSIONS IN MILLIMETRES

		THE PROFESSIONAL MONITOR COMPANY 43-45 Crawley Green Road Luton, Bedfordshire LU2 0AA TEL: 0870 4441044 FAX: 0870 4441045				ORIGINAL 14/08/93 AML		DATE 14/08/93 AML		TITLE TB2 ACTIVATED DIMENSIONS			
		APPROVED				PROJECT		DRAWING NO.		SHEET			
		ISSUE 1		15-07-04		PRT		TB2		TB2J1		/	
		ISSUE 2		04-12-09		AW							
ISSUE 3		08-02-12		AW									