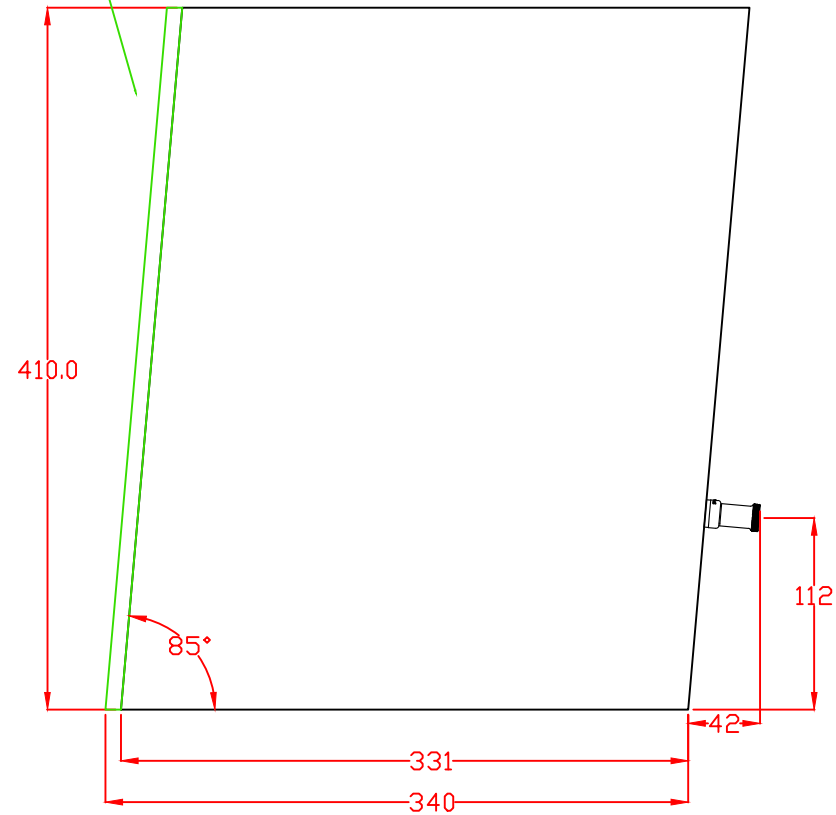
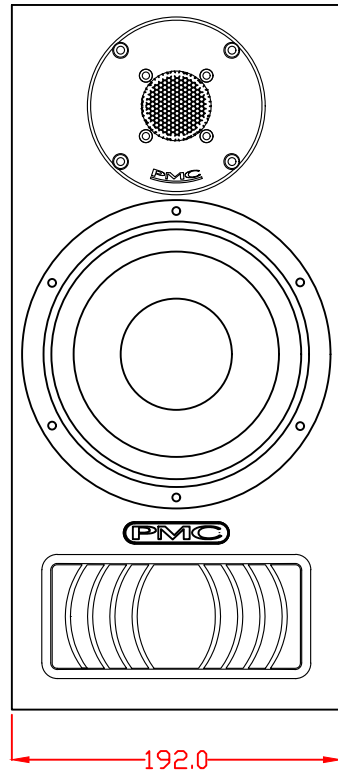


Weight: Approx
8.8kg each

Grille



ALL DIMENSIONS IN MILLIMETRES



THE PROFESSIONAL MONITOR COMPANY
Holme Court
Biggleswade, Bedfordshire SG18 9ST
TEL: 01767 686300 FAX: 0870 4441045

	DATE	INIT
ORIGINAL	01/07/20	AW
APPROVED		
ISSUE 1		
ISSUE 2		
ISSUE 3		

PROJECT	HiFi
---------	------

TITLE	Twenty5.22i Outer Dimensions	
DRAWING NO.		SHEET /