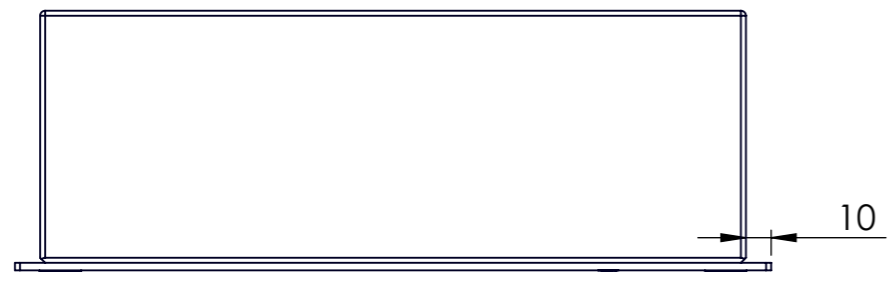
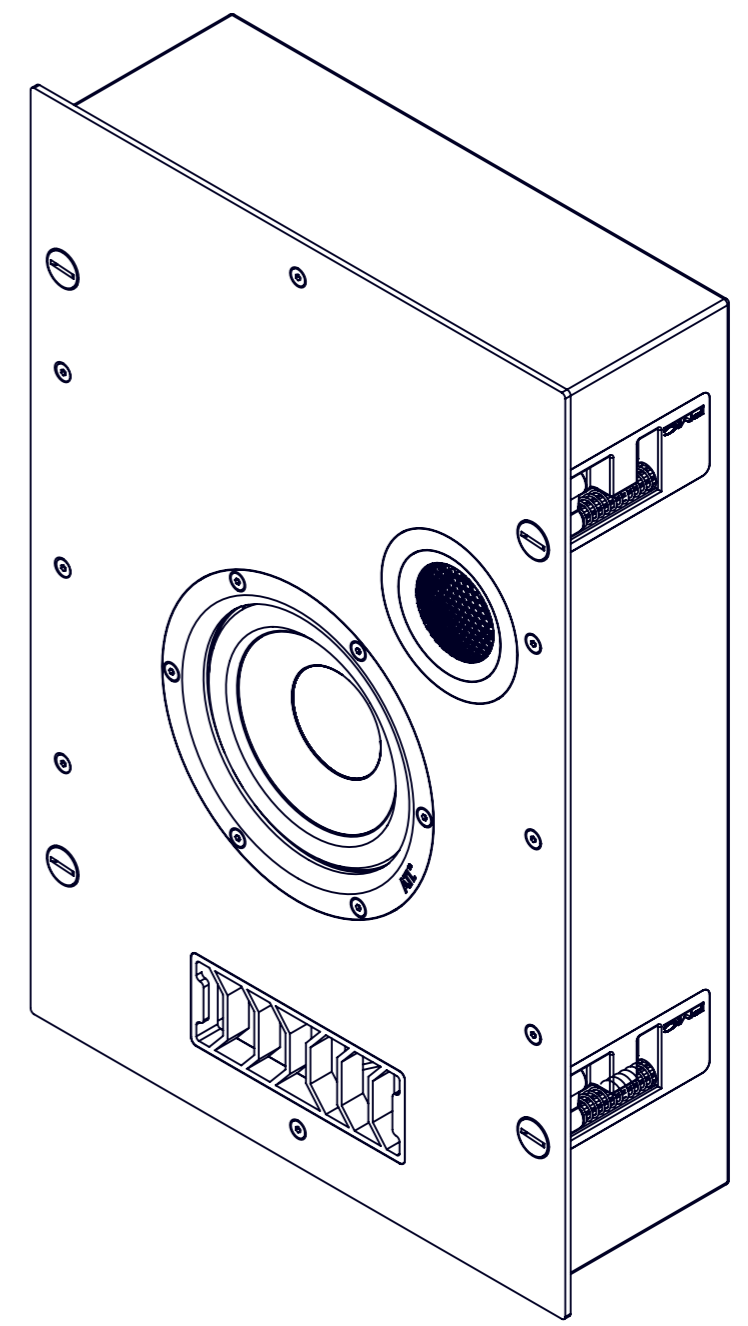
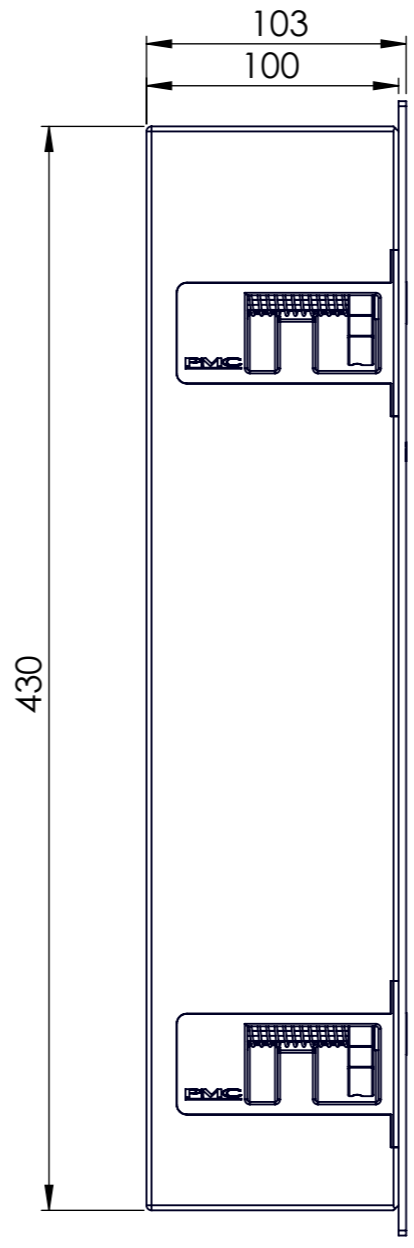
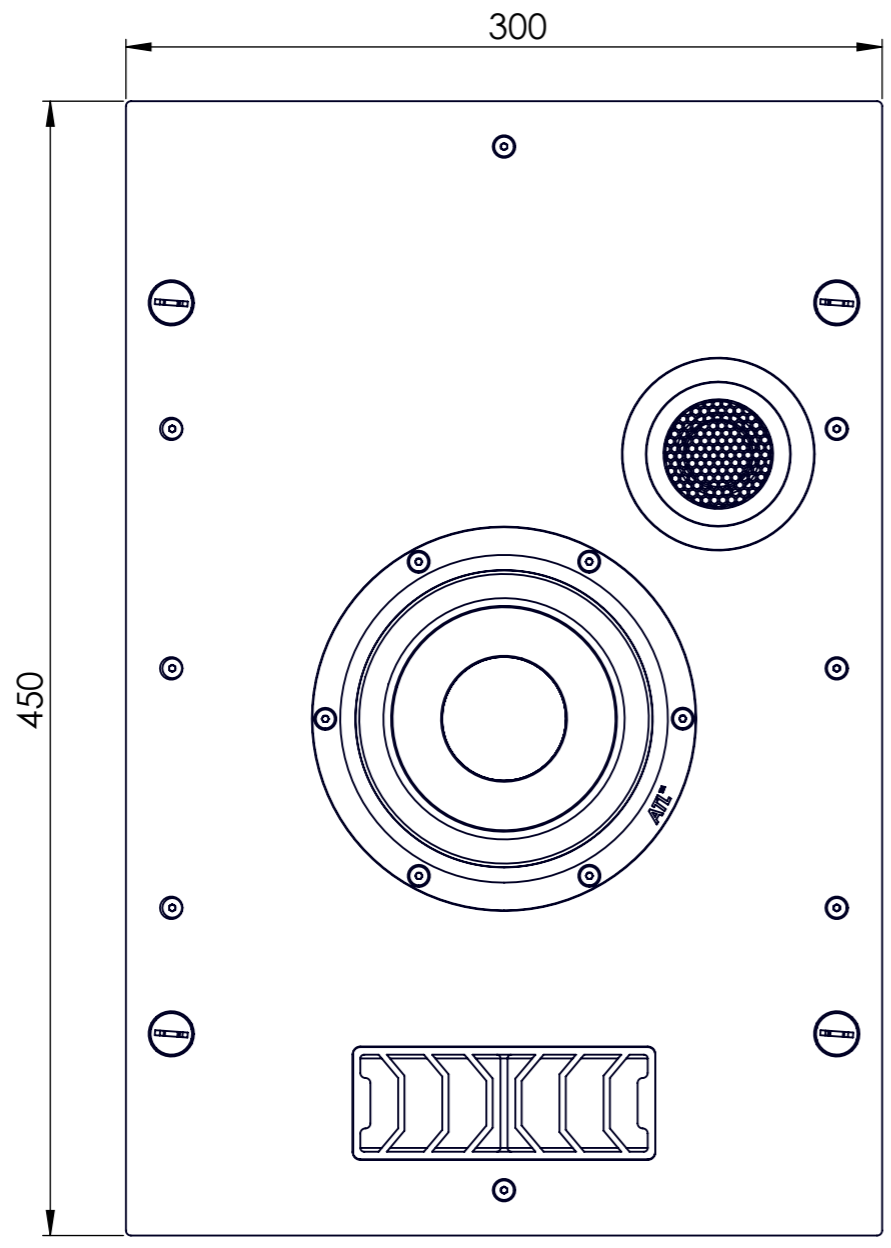


1 A B C D E D E

2
3
4
5
6
7
8



PMC [®] THE PROFESSIONAL MONITOR COMPANY 43-45 Crawley Green Road Luton, Bedfordshire LU2 0AA Tel: 0870 444 1044 Fax: 0870 444 1045	SIZE	TITLE		5				
	A3	Description						
	SCALE	PART NO.	REV.	4				
	1:3	XXXXX	RRR	3				
SHEET	All Tolerances +/-0.2mm Unless otherwise stated			2				
1 of 1	All Dimensions in mm			1				
	ISS.	INIT.	DESCRIPTION	DATE	APP.			