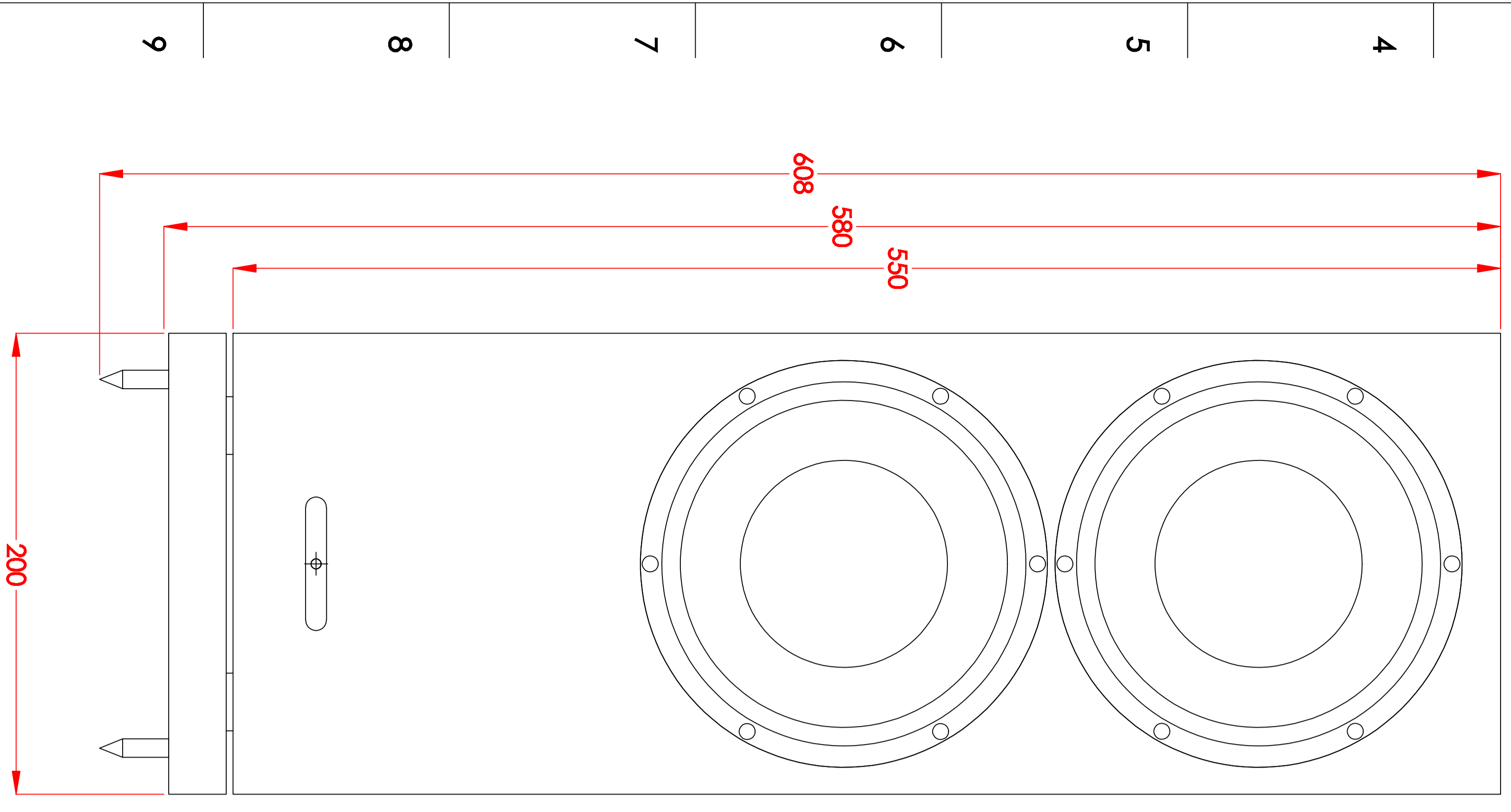
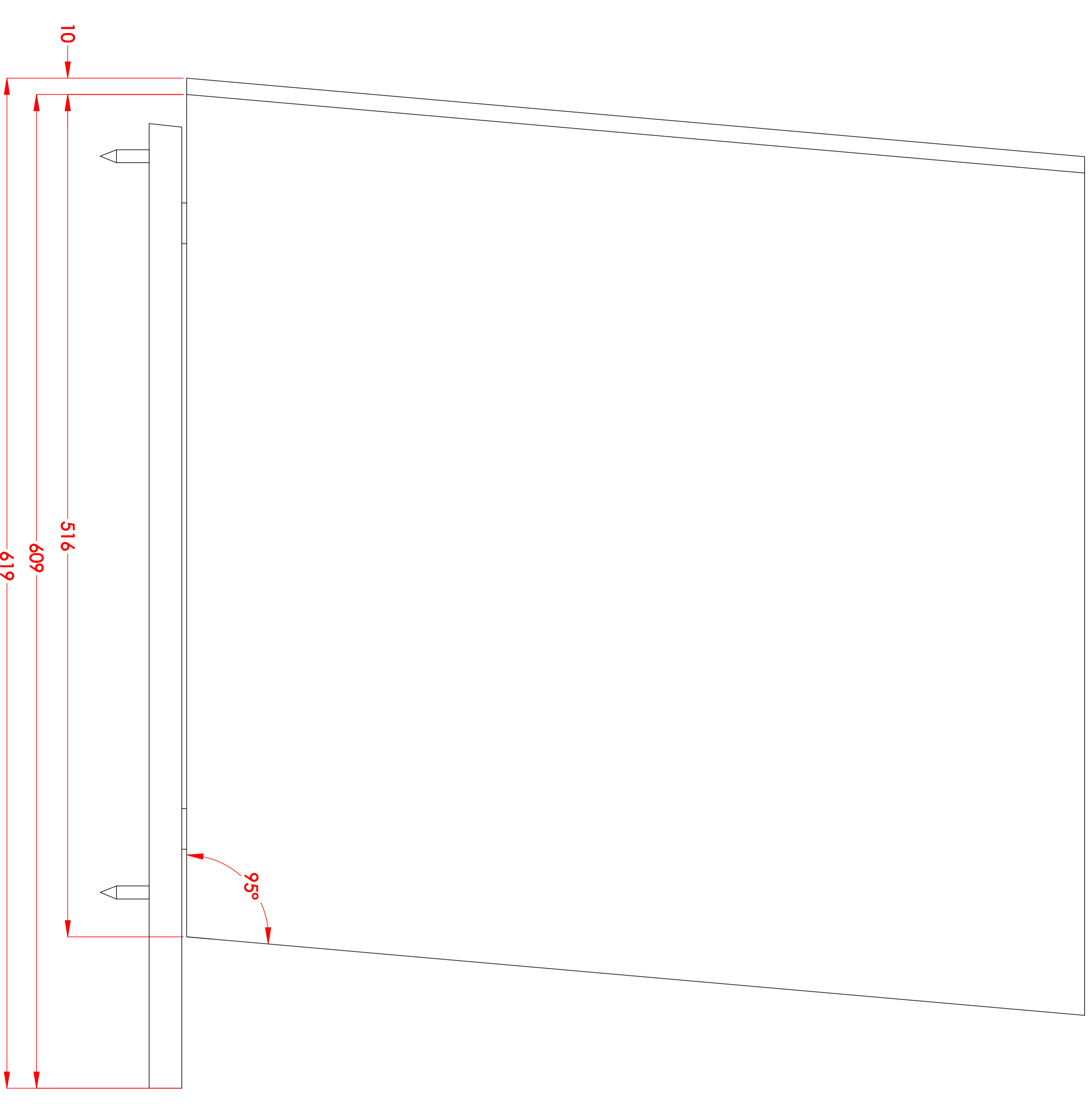


1 A B C D E F G H J K

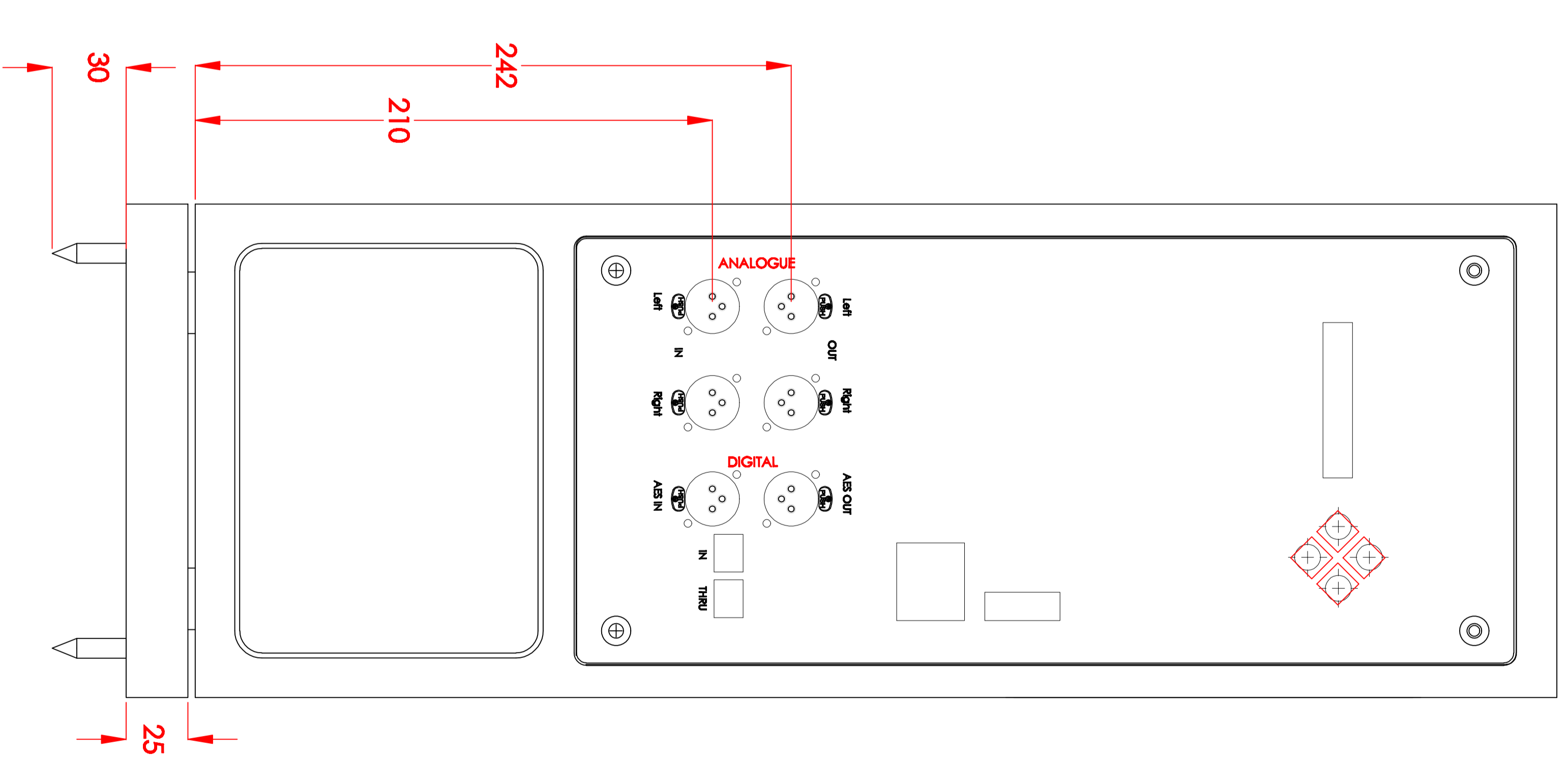
FRONT



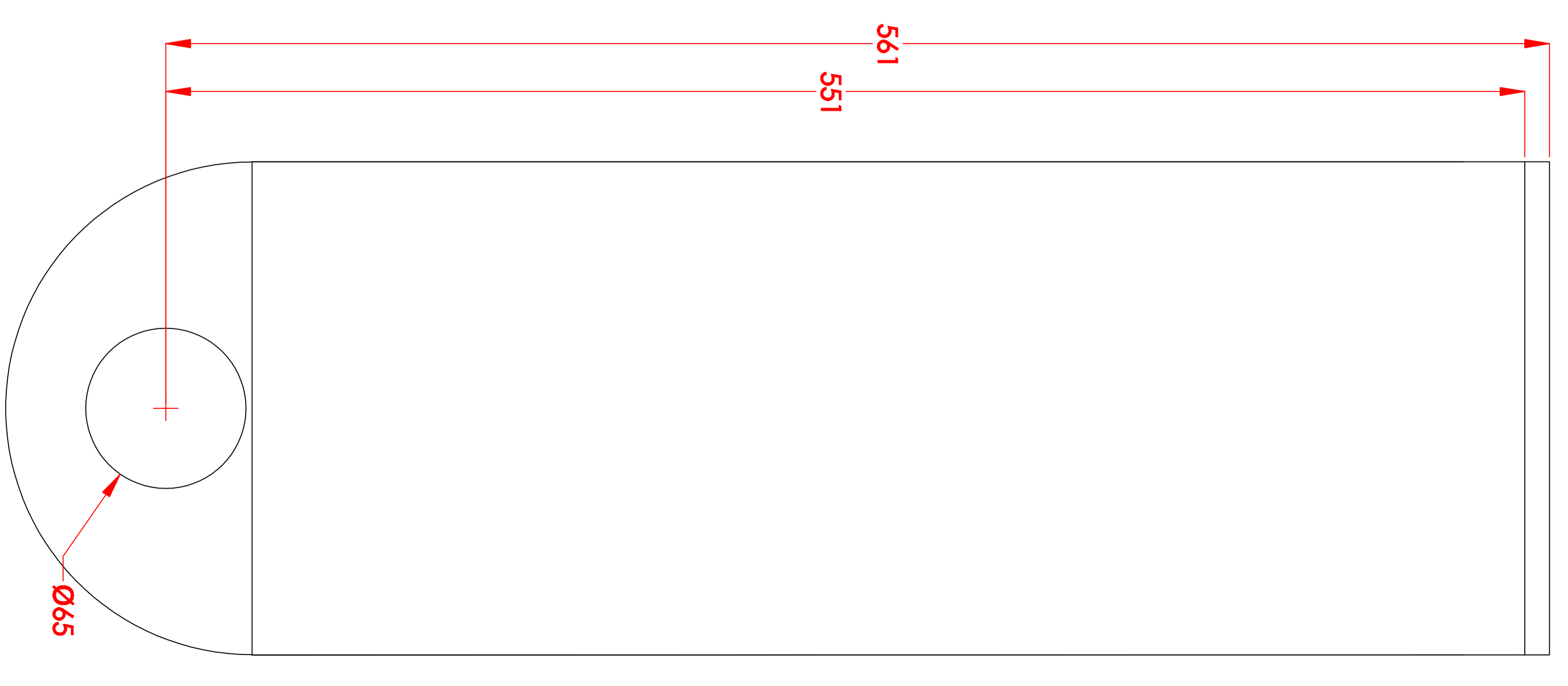
SIDE



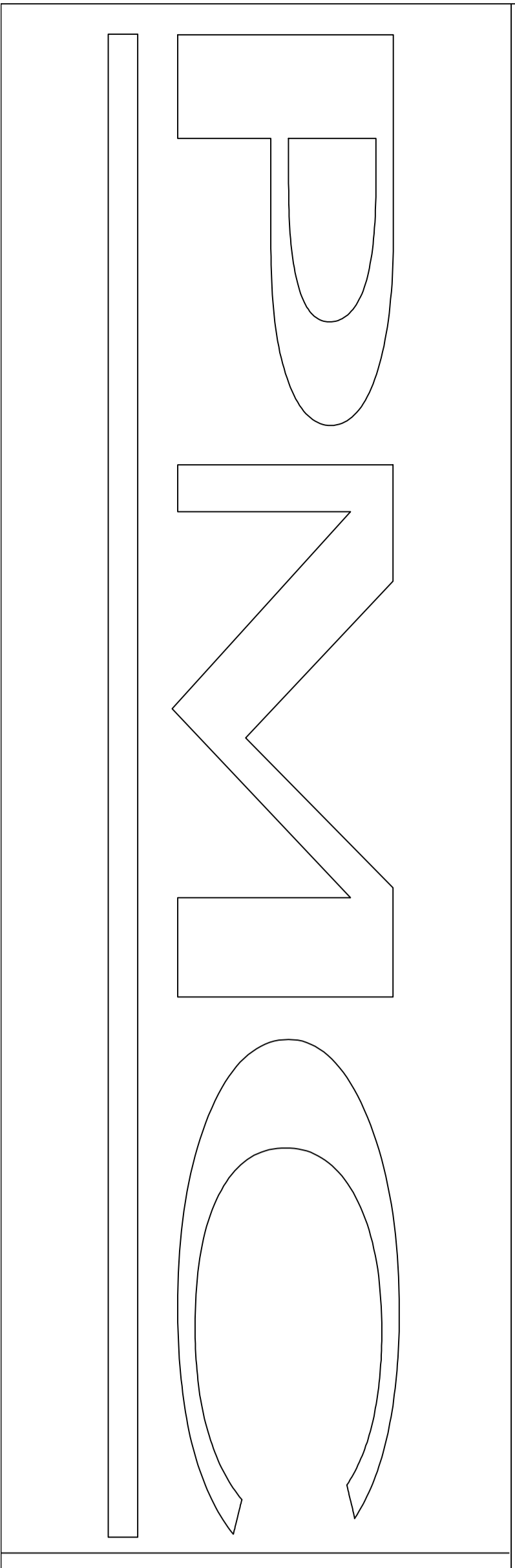
BACK



TOP



ALL DIMENSIONS IN MILLIMETRES



THE PROFESSIONAL MONITOR COMPANY
 43-45 Crawley Green Road
 Luton, Bedfordshire LU2 0AA
 TEL: 0870 4441044 FAX: 0870 4441045

ORIGINAL APPROVED	DATE	INIT
ISSUE 1	13/01/14	OT
ISSUE 2	30/01/15	PM
ISSUE 3		

All tolerances +/-0.2mm unless otherwise specified
 PROJECT **Twenty Sub**

TITLE **Twentysub Outer Dims**
 DRAWING NO. **SUB1-N1**
 SHEET